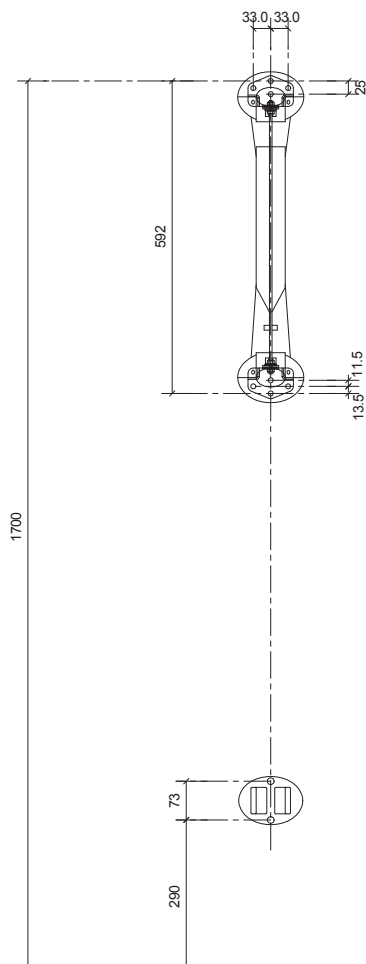
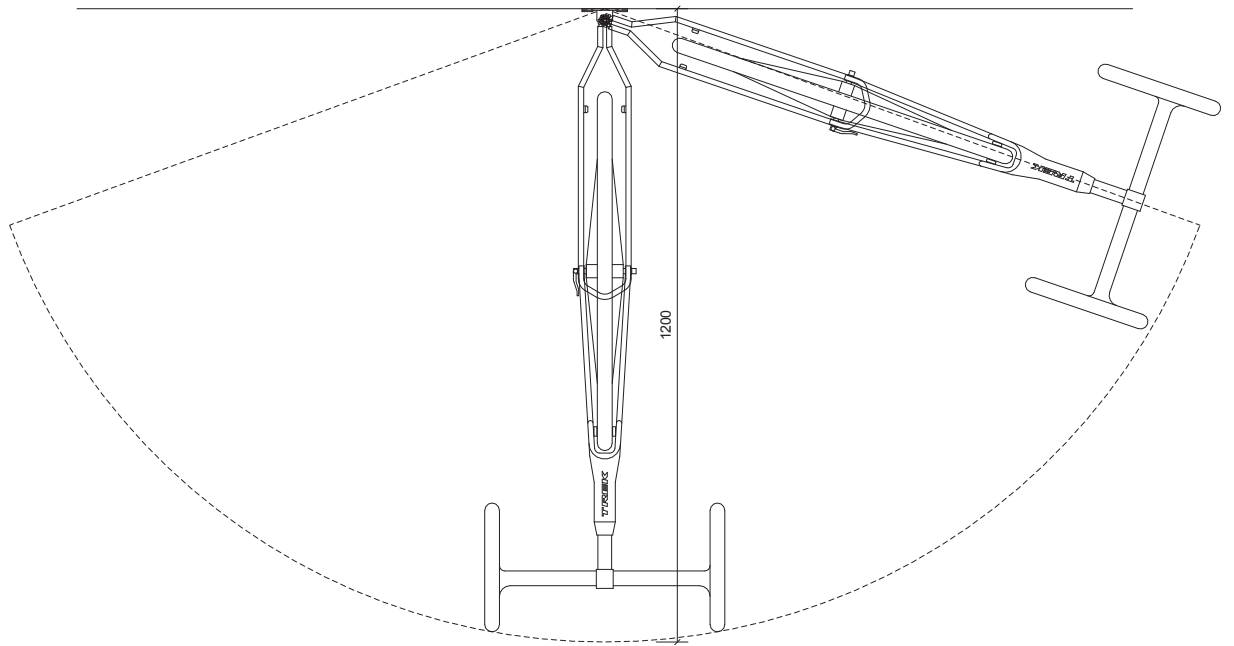


Steadyrack Classic

Category 2 - Road Bikes

Setting Out Guide

LOVE
YOUR
BIKE



Steadyrack Classic bike racks will not only save valuable floor space, they are also safer and easier to use.

These diagrams are provided as guide only. Bike manufacturers constantly vary the dimensions of their bikes so it is recommended to check before finalising the exact mounting heights.

steadyrack
A BETTER WAY TO STORE YOUR BIKE

steadyrack.com